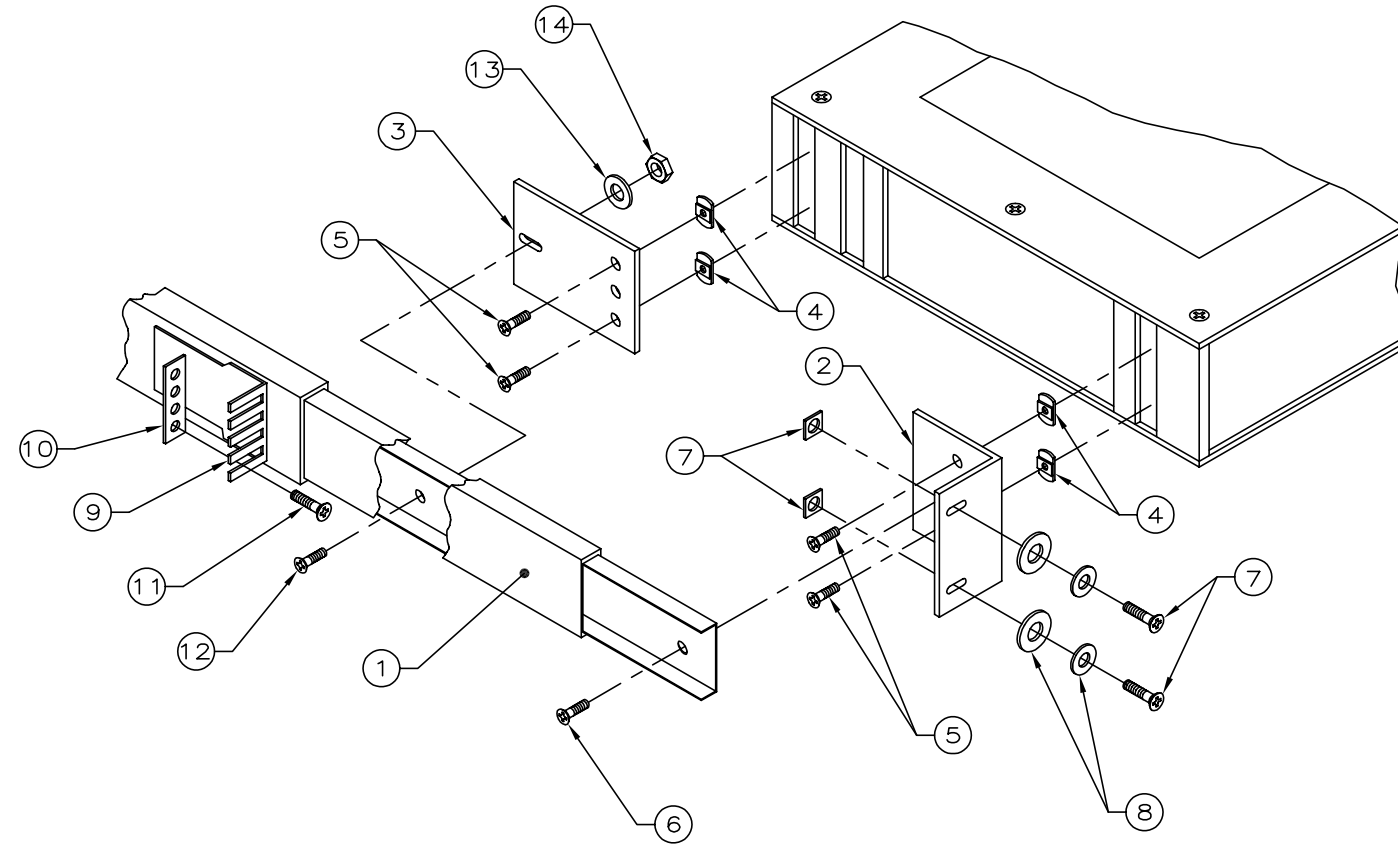


REVISIONS

| REV | DESCRIPTION | DATE | APPROVED |
|-----|------------------------------|------|----------|
| A | PER ECN 6527 RELEASE TO PROD | | |



PARTS LIST

| ITEM | PART NO. | DESCRIPTION | QTY. |
|------|------------|---|------|
| 1 | 5000366-00 | CHASSIS SLIDE, 370QD-24 | 2 |
| 2 | 5210433-12 | RACK MT W/O HANDLE, GRAY (3 1/2) | 2 |
| 3 | 5210953-01 | BRACKET, RACK MOUNT, SLIDE | 2 |
| 4 | 5210441-01 | NUT, FLANGE, 8-32 | 8 |
| 5 | 5149001-05 | SCR, FLH, X-REC (100) SLFLKG, 8-32 UNC X 5/16 | 8 |
| 6 | 5124008-04 | SCR, PNH, X-REC, SLFLKG, 8-32 UNC X 1/4 | 2 |
| 7 | 2010414-01 | HARDWARE KIT, RACK MT (DOMESTIC) | 1 |
| 8 | 5000262-00 | HARDWARE KIT, METRIC | 1 |
| 9 | 5000277-00 | MOUNTING KIT, BRACKET (SLIDES) W/HDW | 1 |
| 10 | 5000278-00 | BAR NUT, 10-32 THREADS | 4 |
| 11 | 5120010-59 | SCR, PNH X-REC 10-32 UNF X 9/16 | 8 |
| 12 | 5120008-06 | SCR, PNH X-REC SLFLKG 8-32 UNC X 3/8 UNC | 2 |
| 13 | 5160008-00 | WASHER FLAT, 8-32 | 2 |
| 14 | 5186008-32 | NUT, KEPS, 8-32 UNC | 2 |

NOTES:(UNLESS OTHERWISE SPECIFIED)

THE INFORMATION DISCLOSED HEREIN IS PROPRIETARY TO EIP MICROWAVE AND IS NOT TO BE REPRODUCED,USED OR DISCLOSED TO OTHERS FOR MANUFACTURING OR FOR ANY OTHER PURPOSE EXCEPT BY SPECIFIC WRITTEN AUTHORIZATION OF THE COMPANY.

REMOVE ALL BURRS
BREAK ALL SHARP
.005 MAX.

UNLESS OTHERWISE SPECIFIED
DIMENSIONS IN INCHES(mm)

.XX ±- ANGLES ±-
.XXX ±- .XXXX ±-

MATERIAL:

FINISH:

| | |
|---------------------------------|----------------|
| PREPARED <i>Wayne Nguyen</i> | DATE 6/1/94 |
| CHECKED | DATE |
| APPROVED | DATE |
| APPROVED | DATE |

EIP MICROWAVE, INC.
MILPITAS, CA 95035

DWG, CHASSIS SLIDE ASSY,
W/O HANDLES, OPT. 102

| | | | |
|----------------------|---------------------|---------------------------|---------------------------|
| SIZE B | CODE IDENT 34257 | DRAWING NO. 5520023-00 | REV A |
| DO NOT SCALE DRAWING | | SCALE: NONE | I00230A1.DWG SHEET 1 OF 1 |